



Piezo Z-Stage 500 µm for Märzhäuser Scanning Stages in the SCAN IM Series

Specifications

Travel range	500 µm
Resolution	1 nm (smallest step)
Repeatability	±5 nm (unidirectional)
Linearity error	< 0.05 % ¹
Load capacity	1.5 kg
Position sensor	capacitive
Operation mode	closed-loop operation
Interfaces	USB, RS-232, CAN, Trigger In/Out, Analog In (0–10 V DC)
Material	aluminium
Weight	1 kg ²

Order Information

Piezo Z-stage 500 µm
 Order No.: 00-55-600-0801

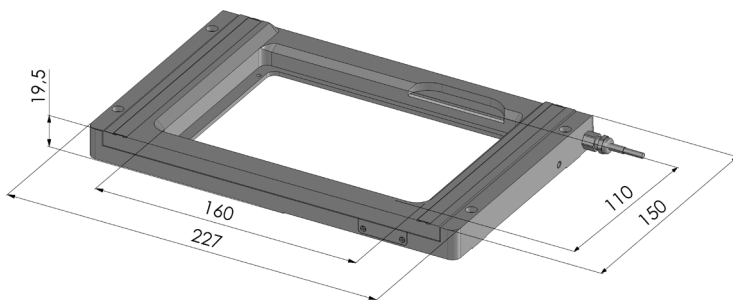
Controller WSB ZPiezo
 Order No.: 00-55-600-0802

Handwheel WSB ZPiezo
 Order No.: 00-55-600-0810

Product Features

- ▶ compatible with nearly all Märzhäuser scanning stages in the SCAN IM series
- ▶ direct connection between Piezo controller and TANGO controllers with AUX I/O interface
- ▶ display of the current position on the screen of the handwheel allows stand-alone operation
- ▶ dynamic Z-motion with travel ranges up to 500 µm
- ▶ highly dynamic scanning sequences can be realized by means of trigger functionality
- ▶ weight-independent travel characteristics up to 1.5 kg

Dimensions



Accessories

Various stage inserts available, e.g. for 1 or 2 slide, 1 Petri dish etc.

A product from

