

▶ **ERGODRIVE** optional operating device for motorized microscope and measuring stages

Number of axes:	2 (XY) or 3 (XYZ)
Resolution XY:	100,000 steps / revolution
Resolution Z:	480 steps / revolution
Supply voltage:	+ 5 V
Current consumption:	70 mA
Interface:	15-pol HD sub connector (connection to Tango HDI Interface)
Material:	aluminium
Weight:	1,620 g
Surface:	anodic coating, black

Order Information

ERGODRIVE 2, 2-axes operating device
 Order No.: 00-27-322-1600
 ERGODRIVE 3, 3-axes operating device
 Order No.: 00-27-322-1500

Product Features

- ▶ optional operating device for all motorized microscope and measuring stages in connection with TANGO controller
- ▶ „Plug and play your microscope“: automatic identification by connection
- ▶ alternative travel speed for XYZ
- ▶ SnapShot function
- ▶ high-resolution, proportional positioning
- ▶ fast stage movement across the entire travel range with sensitive positioning in sub- μm area at the same time
- ▶ ergonomical adjustment for friction and height (telescopic)

Dimensions:

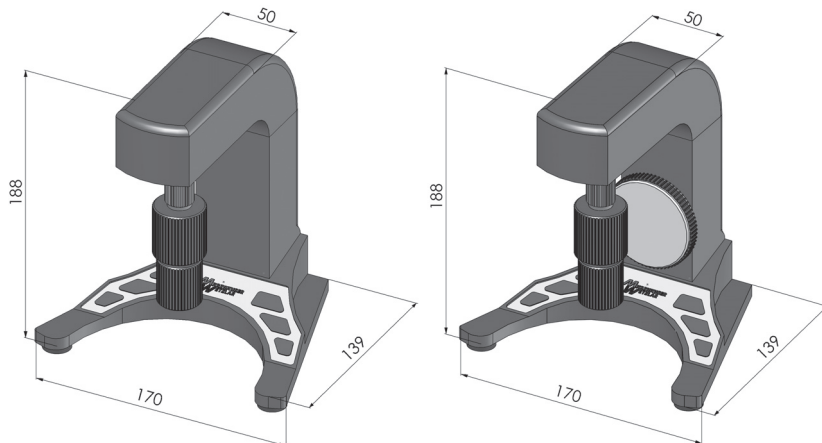


Fig. 1: ERGODRIVE 2

Fig. 2: ERGODRIVE 3

For further accessories please refer to:
www.marzhauser.com

