

▶ **Manual Micromanipulator MM 33**

Travel range:	X-axis: 37 mm Y-axis: 20 mm Z-axis: 25 mm
Fine adjustment:	10 mm
Material:	aluminium
Surface:	anodic coating, black laquered
Weight:	650 g

Order Information

MM 33 right with clamp 1/2"
Order No.: 00-42-101-0000

MM 33 left with clamp 1/2"
Order No.: 00-42-102-0000

MM 33 right with tilting device
Order No.: 00-42-103-0000

MM 33 left with tilting device
Order No.: 00-42-104-0000

Dimensions:

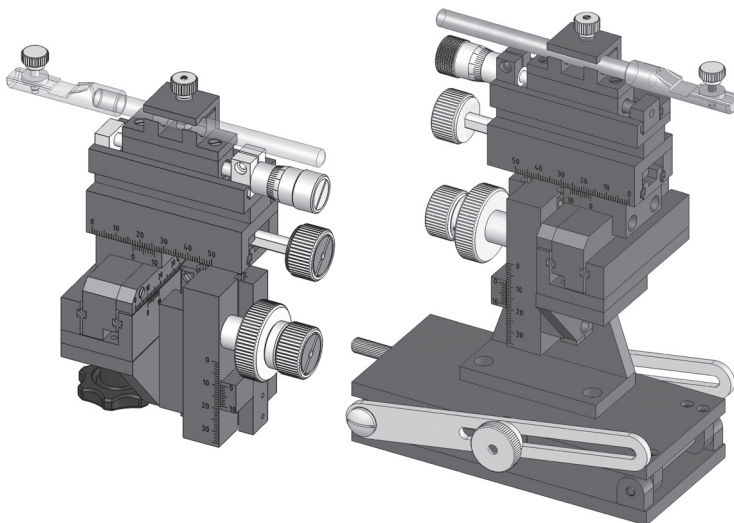


Fig.: 00-42-101-0000

Fig.: 00-42-104-0000

For accessories please refer to:
www.marzhauser.com