

Fig.: MMJ left

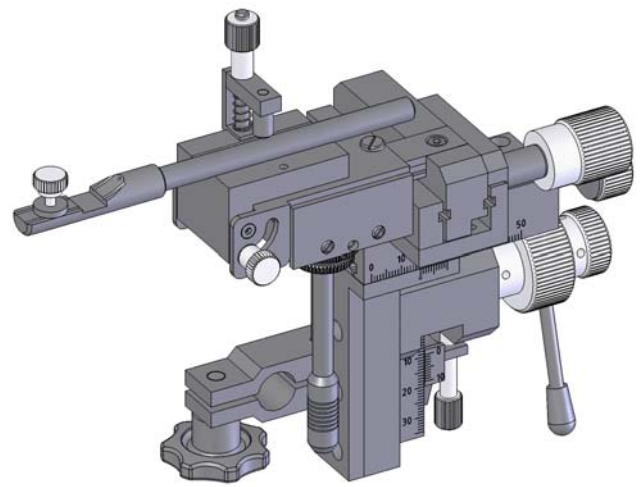


Fig.: MMJ right

▶ **Micromanipulator MMJ** with mechanical joystick

Specifications:

Travel range: X-axis: 37 mm
Y-axis: 20 mm
Z-axis: 25 mm
joystick: 0,35 - approx. 4 mm

Weight: 950 g

Packaging size / weight: 40 x 32 x 21 cm / 2 kg

Order Information:

MMJ right with clamp ½"
Part no.: 00-42-107-0000

MMJ left with clamp ½"
Part no.: 00-42-108-0000

Accessories:

Magnetic stand M1
Part no.: 00-49-901-6000

For further accessories please refer to:
www.marzhauser.com

The micromanipulator MMJ has knobs for coarse and fine adjustment for X-, Y-, and Z-axes, as well as a mechanical joystick for X- and Y-axes that makes μm-range motion possible.

The sensitivity may be adjusted anywhere from 0,35 to app. 4 mm excursion with full deflection of the joystick.

The tool holder may be tilted by 90° and it is suitable for holding a piezo translator (e.g. PM 20).

The Z-axis coarse and fine displacement (ratio 10:1) makes very quick changes of the tool assembly, as well as very precise positioning possible.

A stop screw assures that the tool returns to the focusing plane, immediately after descending.