

▶ **Scanning Stage SCAN 75 x 50** for Upright Microscopes

Travel range:	76 x 52 mm (3" x 2")
Repeatability:	< 1 µm (bi-directional, measured according to VDI / DGQ 3441)
Accuracy:	+/- 3 µm (measured according to VDI / DGQ 3441)
Resolution:	0,01 µm (smallest step size)
Orthogonality:	< 10 arc sec
Motor:	2-phase stepper motor
Max. travel speed:	60 mm/s, with 1 mm ball screw pitch 120 mm/s, with 2 mm ball screw pitch
Limit switches:	optical light beam
Material:	aluminium
Surface:	anodic coating, black laquered
Weight:	3,800 g

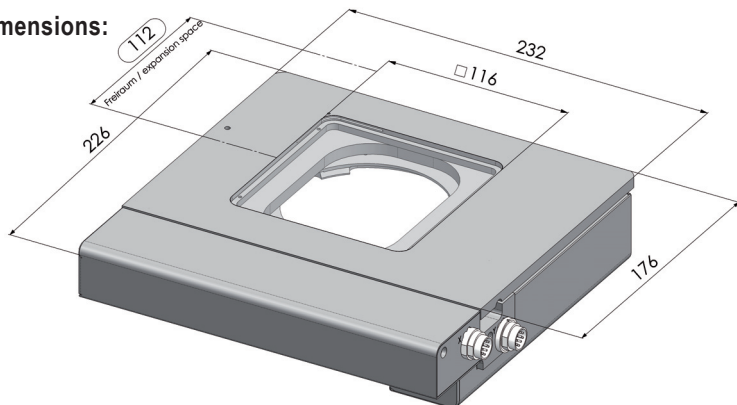
Order Information

Order No.: 00-24-561-0000, 1 mm ball screw pitch
Order No.: 00-24-562-0000, 2 mm ball screw pitch

Product Features

- ▶ exchangeable stage inserts for different kinds of applications
- ▶ flat design due to lowered motor axis
- ▶ **5 years guarantee**, if the scanning stage is operated in the system with the Märzhäuser TANGO controller!
- ▶ The integrated electronic stage identification device ETS enables automatic identification of the scanning stage as well as the parametrization of the controller.
- ▶ motor cable connection front right

Dimensions:



Accessories

Glass plate (included in delivery)
Order No.: 00-24-401-0810

For further accessories please refer to:
www.marzhauser.com