

▶ **Scanning Stage SCAN 130 x 85** for Upright Microscopes

| | |
|---------------------------|---|
| Travel range: | 130 x 85 mm |
| Repeatability: | < 1 µm (bi-directional, measured according to VDI / DGQ 3441) |
| Accuracy: | +/- 3 µm (measured according to VDI / DGQ 3441) |
| Resolution: | 0,01 µm (smallest step size) |
| Orthogonality: | < 10 arc sec |
| Motor: | 2-phase stepper motor |
| Max. travel speed: | 60 mm/s, with 1 mm ball screw pitch 120 mm/s, with 2 mm ball screw pitch 240 mm/s, with 4 mm ball screw pitch |
| Limit switches: | continuously adjustable optical light beam |
| Material: | aluminium |
| Surface: | anodic coating, black laquered |
| Weight: | 4,600 g |

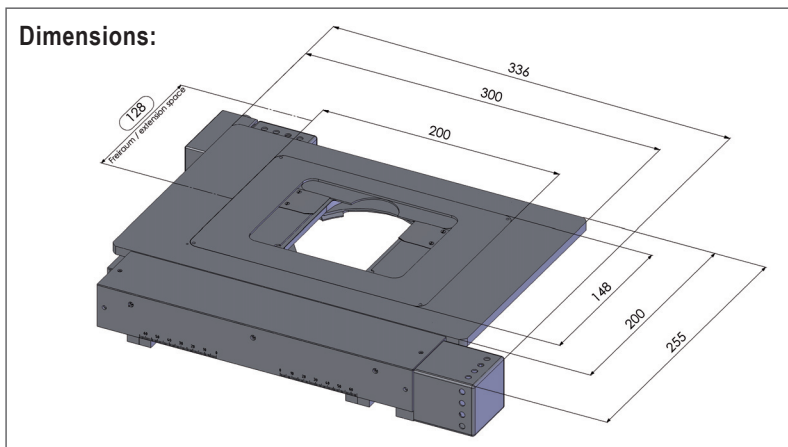
Order Information

Order No.: 00-24-627-0000, 1 mm ball screw pitch
 Order No.: 00-24-628-0000, 2 mm ball screw pitch
 Order No.: 00-24-629-0000, 4 mm ball screw pitch

Product Features

- ▶ exchangeable stage inserts for different kinds of applications, also for micro titer plates or 4 slides
- ▶ user-friendly design due to lowered motor axis
- ▶ **5 years guarantee**, if the scanning stage is operated in the system with the Märzhäuser TANGO controller!
- ▶ continuously adjustable optical light beam for individual travel range limitation

Dimensions:



Accessories

For accessories please refer to:
www.marzhauser.com

