

▶ Micromanipulator SM 3.25

Travel range:	
X-axis:	25 mm
Y-axis:	25 mm
Z-axis:	25 mm
Resolution:	0,025 µm
Drive:	2-phase stepper motor
Ball screw pitch:	1 mm, ball bearing lead screw
Material:	aluminium
Surface:	anodic coating, black lacquered
Weight:	1.700 g

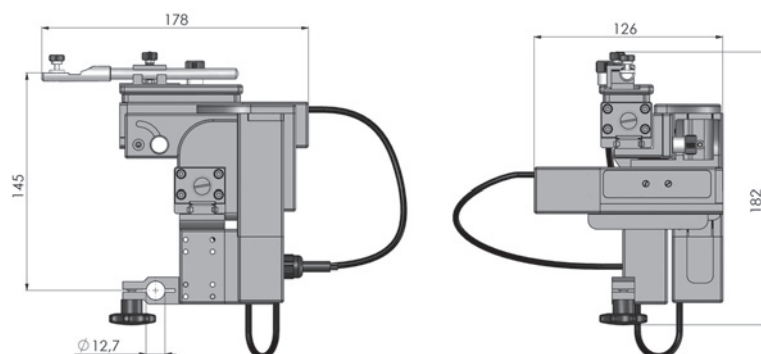
Order Information

SM 3.25 | 3 axes motorized
 Order No.: 00-47-102-0000

Product Features

- ▶ The mechanical design of the SM 3.25 micromanipulator is very compact, thus it can be mounted directly to a microscope stage.
- ▶ The X-slide may be tilted by up to 90°. This makes precise positioning of the tool assembly easy.
- ▶ An additional swivel device permits the tilting of the tool holder to one side for rapid changing and easy cleaning of micro tools.
- ▶ The SM 3.25 includes a ½ inch mounting clamp. (other Ø on request)

Dimensions:



Accessories

Magnetic stand M1
 Order No.: 00-49-901-6000
 Controller TANGO Desktop
 Order No.: 00-76-125-1803
 Controller TANGO PCI-E
 Order No.: 00-76-125-0813

For electrophysiological applications:

Controller MCL 3
 Order No.: 00-79-220-0834 (without display)
 Order No.: 00-79-220-0835 (with display)